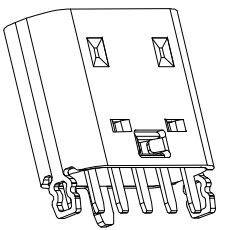
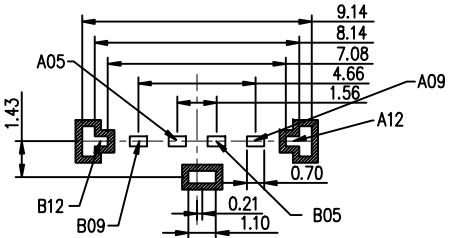
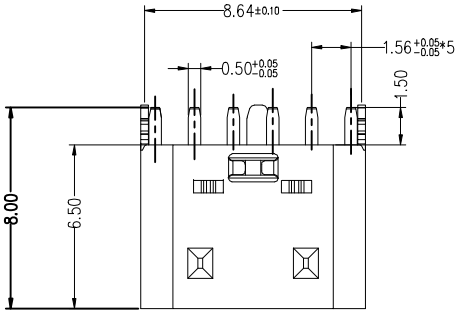


| | | |
|------|--------------|------|
| MAPX | MODIFICATION | DATE |
| | | |



RECOMMENDED P.C.B. LAYOUT
TOLERANCE UNSPECIFIED ±0.05mm
PCB LAYOUT 图仅供参考

Note:
1.Material:
1.1 Housing: LCP
1.2 Contact: C5191,t=0.20mm
Gold flash on conctact area, 50 U" Tin planting on solder area.
1.3 Shell: SUS304-H,T=0.3mm
50U" Nickel Planting over all.
2.ELECTRICAL:
2-1: CURUENT RATAING:
VBUS AND GND CONTACTS RATED AT 1.25A
PARALLELED FOR A TOTAL OF 5A;
2-2:INITIAL CONTACT RESISTANCE :40 MEGOHMS
2-3:DIELECTRIC WITHSTANDING VOLTAGE:
100V AC MIN;
3:MECHANICAL CHARACTERISTICS:
3-1: MATING FORCE:5~20N
3-2:UNMATING FORCE:8~20N(INITIAL),
6~20N(AFTER 10000 CYCLES)
3-3:FREQUENCE: 200±50 CYCLES /HOUR,10000 CYCLES
3-4: OPERATING TEMPERATURE ; -40~80°.

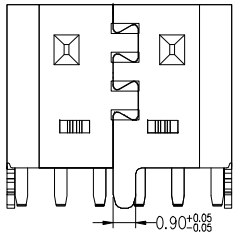
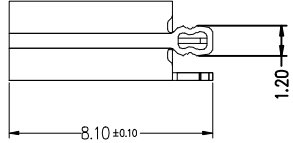
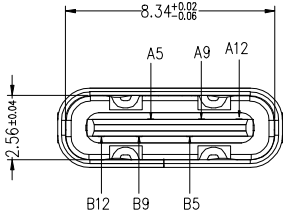


TABLE B

| A5 | CC1 | B12 | GND |
|-----|-------------|-----|-------------|
| A9 | VBUS | B9 | VBUS |
| A12 | GND | B5 | CC2 |
| PIN | SIGNAL NAME | PIN | SIGNAL NAME |

| | | | | | | | | | |
|-------------------------------------|------------|--------------|-------------|---------------|------------|--------------------------|---------------------|---|----|
| 产品图 PRODUCT CHART DWG | | 深州市精拓金电子有限公司 | | | | | | | |
| 公差一览表 TOLERANCE UNLESS OTHERWISE | | 单位 UNITS | MM | 制图 DRAWING | YANG | 制图料号 PRODUCT PART NO. | 910-41820204-0001 | | |
| X | ±0.30 X | ±5.° | 比例 SCALE | 1:1 | 审核 CHKD | 郭志富 | 产品名称 PRODUCT NO. | TYPE-C3.1直立式母座L6.5/8.0三脚端子DIP/LCP 黑胶PIN-端子 | |
| .X | ±0.25 .X | ±2.° | 日期 DATE | 2019.11.23 | 核准 APPD | 黄国荣 | 角法 VIEW | 版本 VER | A0 |
| .XX | ±0.15 .XX | ±1.° | | | | | | | |
| .XXX | ±0.10 .XXX | ±0.5° | | | | | | | |